



ALUMINIUM ENCLOSURES II



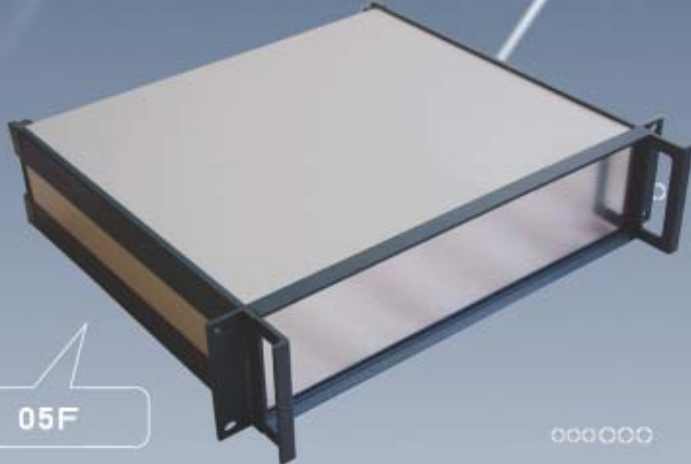
05D



05E



05D



05F



05G

05 Instrument case system V

Available size

Height/Width/Depth Chart of 05D,05E,05F,05G

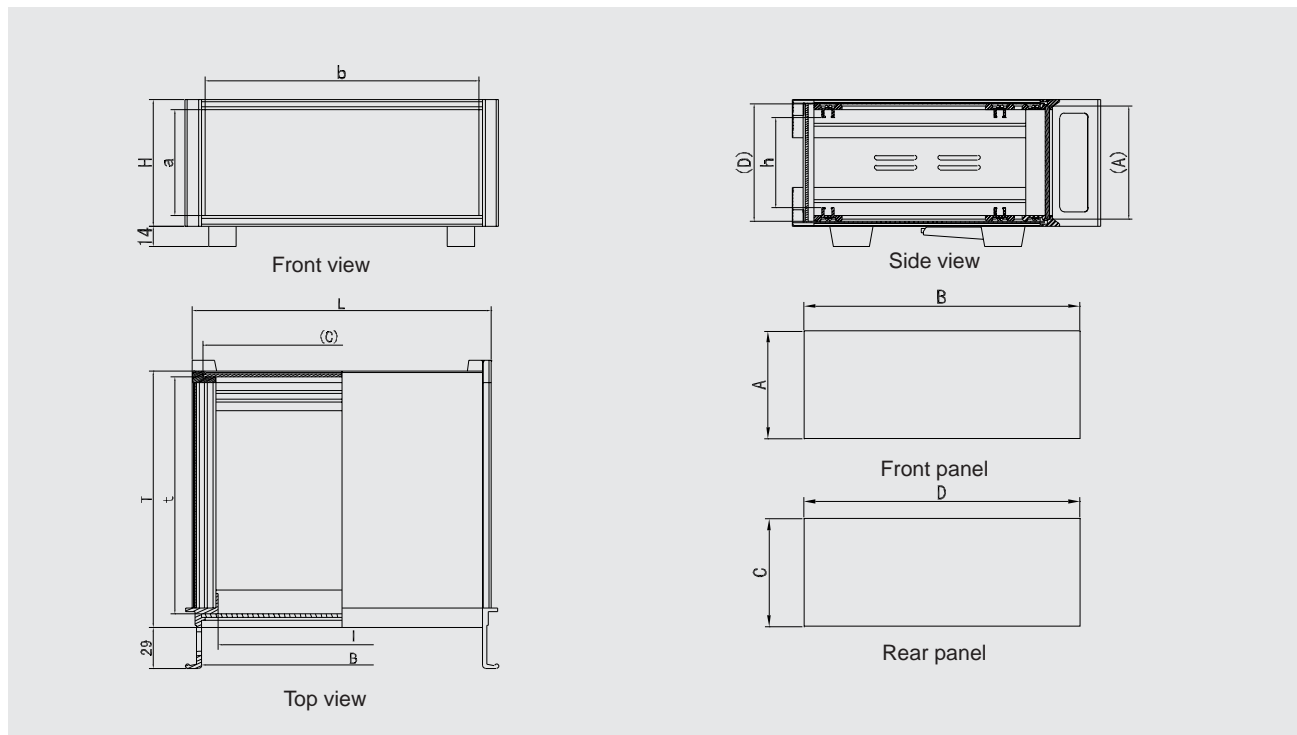
| Exterior size | | | Interior size | | | Front panel | | | | Rear panel | |
|----------------|---------------|---------------|---------------|--------------|--------------|-------------|-------|--------------|-------|------------|-------|
| Overall height | Overall width | Overall depth | Inside height | Inside width | Inside depth | Blank size | | Useable size | | Blank size | |
| H(mm) | L(mm) | T(mm) | h(mm) | l(mm) | t(mm) | B(mm) | A(mm) | b(mm) | a(mm) | D(mm) | C(mm) |
| 90 | 200 | 160 | 64 | 163 | 146 | 187 | 80 | 182 | 75 | 185 | 83 |
| 100 | 240 | 200 | 74 | 203 | 186 | 227 | 90 | 222 | 85 | 225 | 93 |
| 100 | 280 | 240 | 74 | 243 | 226 | 267 | 90 | 262 | 85 | 265 | 93 |
| 100 | 320 | 280 | 74 | 283 | 266 | 307 | 90 | 302 | 85 | 305 | 93 |
| 120 | 240 | 240 | 94 | 203 | 226 | 227 | 110 | 222 | 105 | 225 | 113 |
| 120 | 280 | 280 | 94 | 243 | 266 | 267 | 110 | 262 | 105 | 265 | 113 |
| 120 | 320 | 320 | 94 | 283 | 306 | 307 | 110 | 302 | 105 | 305 | 113 |
| 140 | 280 | 280 | 114 | 243 | 266 | 267 | 130 | 262 | 125 | 265 | 133 |
| 140 | 320 | 320 | 114 | 283 | 306 | 307 | 130 | 302 | 125 | 305 | 133 |
| 140 | 360 | 360 | 114 | 323 | 346 | 347 | 130 | 342 | 125 | 345 | 133 |
| 160 | 320 | 320 | 134 | 283 | 306 | 307 | 150 | 302 | 145 | 305 | 153 |
| 160 | 360 | 360 | 134 | 323 | 346 | 347 | 150 | 342 | 145 | 345 | 153 |
| 160 | 400 | 400 | 134 | 363 | 386 | 387 | 150 | 382 | 145 | 385 | 153 |
| 180 | 360 | 360 | 154 | 323 | 346 | 347 | 170 | 342 | 165 | 345 | 173 |
| 180 | 400 | 400 | 154 | 363 | 386 | 387 | 170 | 382 | 165 | 385 | 173 |
| 180 | 440 | 440 | 154 | 403 | 426 | 427 | 170 | 422 | 165 | 425 | 173 |

Note: Custom overall height, overall width and overall depth available upon request

The dimensions shown in the table are only for reference (may exist $\pm 0.5\text{mm}$ dimensions variation)

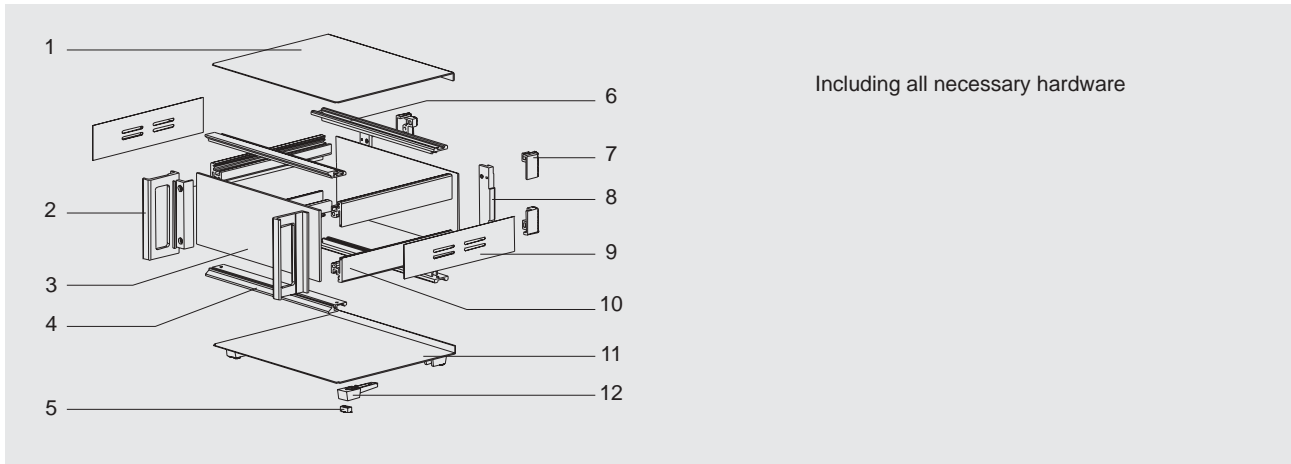
Refer to the following drawing for the definition of enclosure size

Drawing



Standard delivery

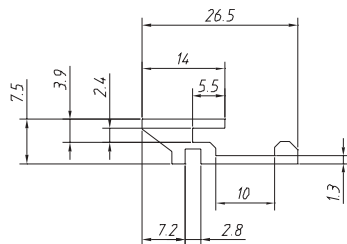
For 05D/05E/05F/05G



| ITEM | PART | QTY | DESCRIPTION |
|------|-----------------------|-----|--|
| 1 | Top cover | 1 | 0.8mm Aluminium sheet or steel sheet, spary plastic |
| 2 | Handle/front trim | 2 | Aluminium extrusion, spary plastic |
| 3 | Front/rear panel | 2 | 2mm Aluminium sheet |
| 4 | Front horizontal rail | 2 | Aluminium extrusion, spary plastic |
| 5 | Anti-slip insert | 4 | Moulded in rubber-plastic |
| 6 | Rear horizontal rail | 2 | Aluminium extrusion, clear anodized |
| 7 | Rear feet | 4 | Moulded in PC |
| 8 | Rear trim | 2 | Aluminium extrusion, clear anodized |
| 9 | Side panel | 2 | 0.8mm Aluminium sheet or steel sheet, spary plastic |
| 10 | Side rail | 4 | Aluminium extrusion, spary plastic |
| 11 | Bottom cover | 1 | 0.8mm aluminium or steel sheet, spary plastic, with vent holes for standard delivery |
| 12 | Bottom feet | 4 | Moulded in PC |

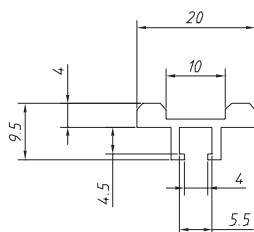
Standard parts

Front horizontal rail



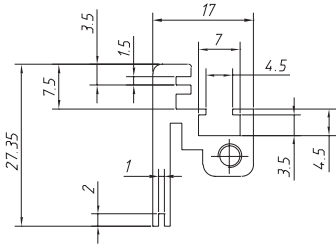
- Material: Aluminum extrusion
- Spary plastic

Rear horizontal rail



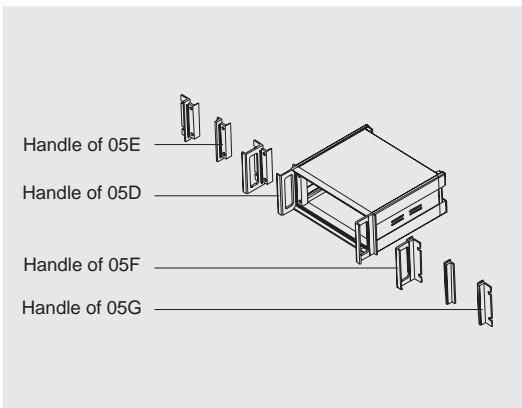
- Material: Aluminum extrusion
- Clear anodized
- Slide nuts can be inserted into the
- "T" guide
- Can be used as additional rail to strengthen enclosure

Side rail



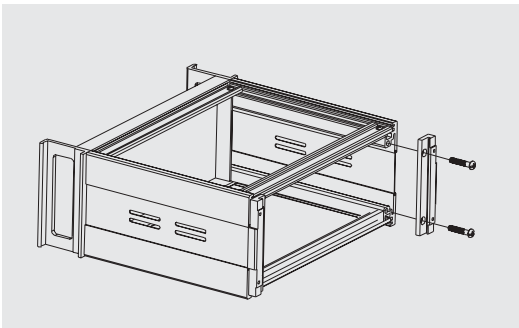
- Material: Aluminum extrusion
- Spary plastic
- Slide nuts can be inserted into the "T" guide

Handle/front trim



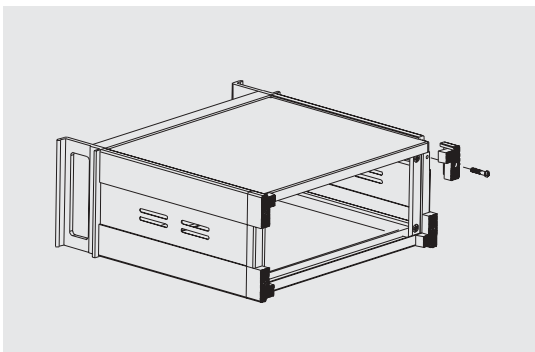
- Material: Aluminum extrusion
- Spary plastic
- choice of four types of handles
- With mounting flange for 05F and 05G
- View the below illustrative chart to check the corresponding model of enclosures for different handles

Rear trim



- Material: Aluminum extrusion
- Clear anodized

Rear feer

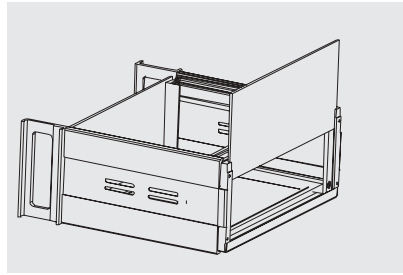
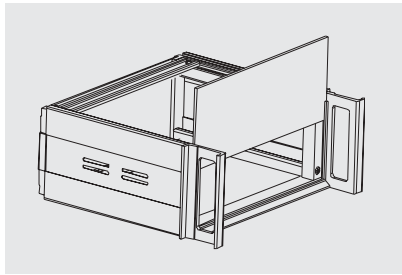


- Moulded in PC
- Anti-slip

Botton feet

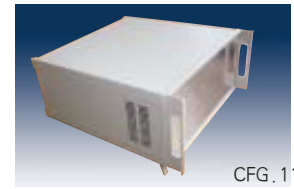
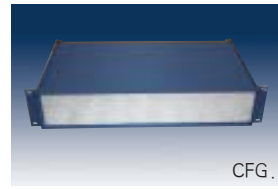
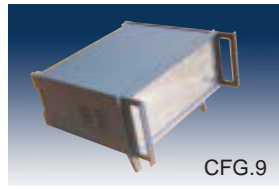
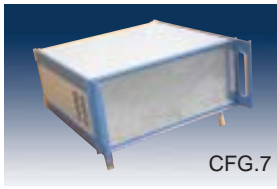
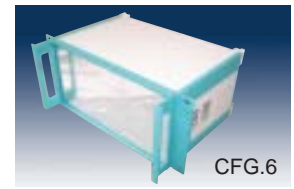
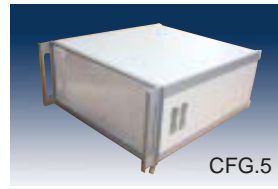
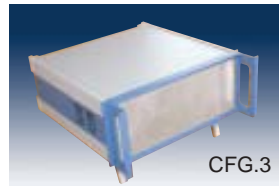
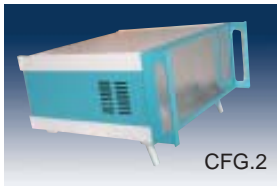
Please refer to the details of 01A for the bottom feet of 05 series

Front/rear panel



- Material: 2mm Aluminum sheet
- Screwless mounting
- Cut-outs available

Colors configuration



| CFG. | Handle & Side panel | Side rail | Front rail | Covers |
|------|---------------------|------------|------------|------------|
| 1 | Mid-gray | Gray-white | Mid-gray | Gray-white |
| 2 | Green | Gray-white | Green | Gray-white |
| 3 | Blue | Gray-white | Blue | Gray-white |
| 4 | Thick-gray | Gray-white | Thick-gray | Gray-white |
| 5 | Mid-gray | Mid-gray | Mid-gray | Gray-white |
| 6 | Green | Green | Green | Gray-white |
| 7 | Bllue | Bllue | Bllue | Gray-white |
| 8 | Thick-gray | Thick-gray | Thick-gray | Gray-white |
| 9 | Thick-gray | Thick-gray | Thick-gray | Thick-gray |
| 10 | Gray-blue | Gray-blue | Gray-blue | Gray-blue |
| 11 | Gray-white | Gray-white | Gray-white | Gray-white |
| 12 | Mid-gray | Mid-gray | Mid-gray | Mid-gray |

How to order

Ordering the enclosures is very simple. You only need to tell us the following:

1. Model of the enclosure
2. Height of the enclosure
3. Overall width of the enclosure
4. The depth of your desired enclosure
5. The colors configuration of the enclosure
6. Providing us with the drawing if you require secondary tooling or other cut-outs

Example: Model: 05D

Enclosure size: 140 × 320mm × 320mm

Colors: CFG.3